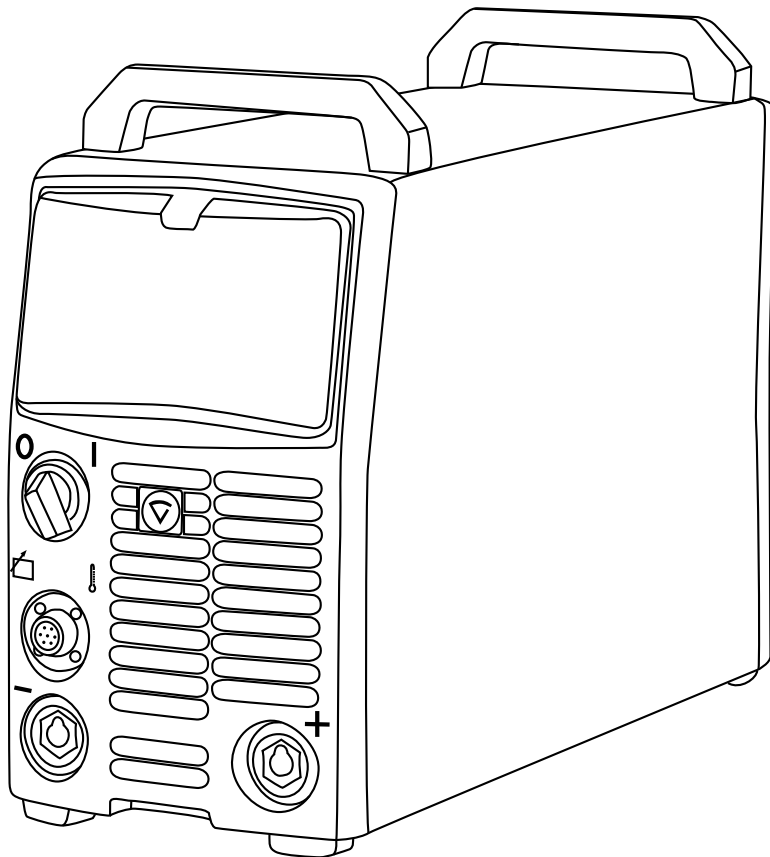


FastMig

KMS 400 MVU

Operating manual *EN*

Brugsanvisning *NO*



EN

OPERATING MANUAL

English

CONTENTS

1.	Preface.....	3
1.1	General.....	3
1.2	Product introduction.....	4
1.2.1	Operation control and connectors.....	4
1.3	Accessories.....	5
1.3.1	Remote control devices.....	5
1.3.2	Cables.....	5
2.	Installation.....	6
2.1	Positioning of the machine.....	6
2.2	Distribution network.....	6
2.3	Connection to the mains supply.....	6
2.4	Welding and earth cables.....	7
3.	Operation control switches and potentiometers.....	7
3.1	Main switch I/O.....	7
3.2	Pilot lamps.....	7
3.3	Operation of cooling fan.....	7
4.	Manual metal arc welding.....	8
5.	Maintenance.....	8
5.1	Cables.....	8
5.2	Power source.....	8
5.3	Regular maintenance.....	8
6.	Operation disturbances.....	9
6.1	Operation of the overload protection.....	9
6.2	Control fuses.....	9
6.3	Under- and overvoltages in the mains supply.....	9
6.4	Loss of a phase in the mains supply.....	9
7.	Disposal of the machine.....	9
8.	Ordering numbers.....	10
9.	Technical data.....	11

EN

1. PREFACE

1.1 General

Congratulations on choosing the FastMig welding equipment. Used correctly, Kemppi products can significantly increase the productivity of your welding, and provide years of economical service.

This operating manual contains important information on the use, maintenance and safety of your Kemppi product. The technical specifications of the equipment can be found at the end of the manual.

Please read the manual carefully before using the equipment for the first time. For your own safety and that of your working environment, pay particular attention to the safety instructions in the manual.

For more information on Kemppi products, contact Kemppi Oy, consult an authorised Kemppi dealer, or visit the Kemppi web site at www.kemppi.com.

The specifications presented in this manual are subject to change without prior notice.

Important notes

Items in the manual that require particular attention in order to minimise damage and personal harm are indicated with the '**NOTE!**' notation. Read these sections carefully and follow their instructions.

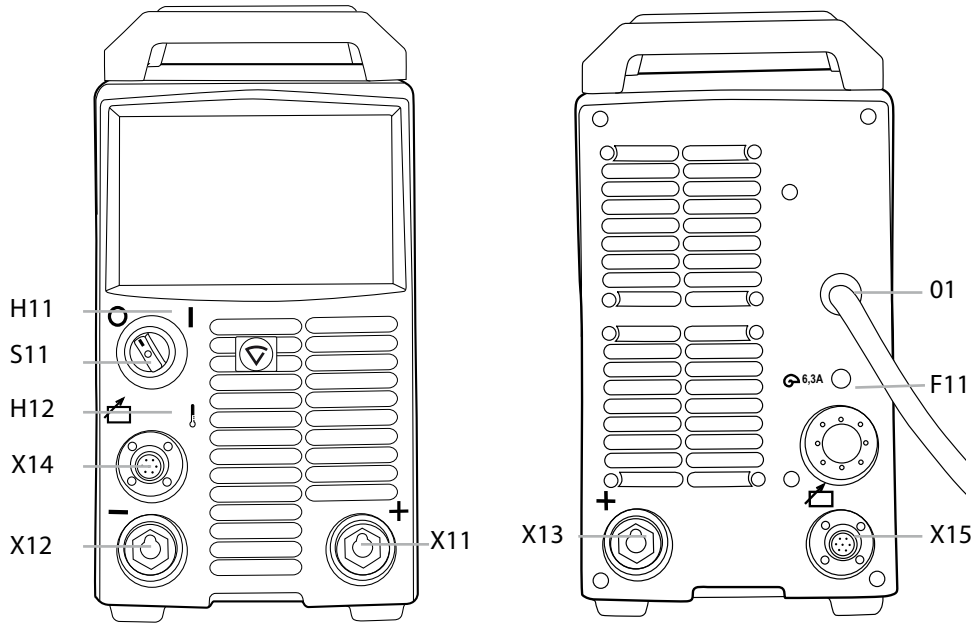
Disclaimer

While every effort has been made to ensure that the information contained in this guide is accurate and complete, no liability can be accepted for any errors or omissions. Kemppi reserves the right to change the specification of the product described at any time without prior notice. Do not copy, record, reproduce or transmit the contents of this guide without prior permission from Kemppi.

1.2 Product introduction

FastMig KMS 400 MVU is multi-operator power source designed for demanding professional use. It is suitable for MMA and MIG welding in DC.

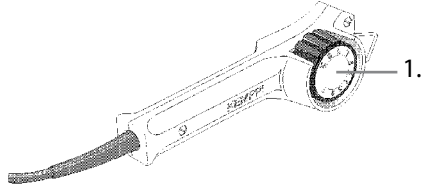
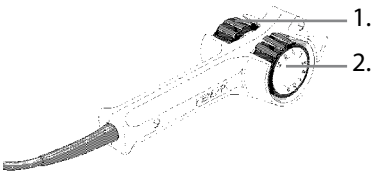
1.2.1 Operation control and connectors



F11	Fuse for connection for control table	6,3 A delayed	X12	Earth connection	
H11	Signal lamp	I/O	X14 , X15	Connection for control cable	parallel
H12	Warning lamp for thermal protection		01	Inlet of mains cable	
S11	Main switch	I/O			
X11, X13	Welding connection	parallel			

1.3 Accessories

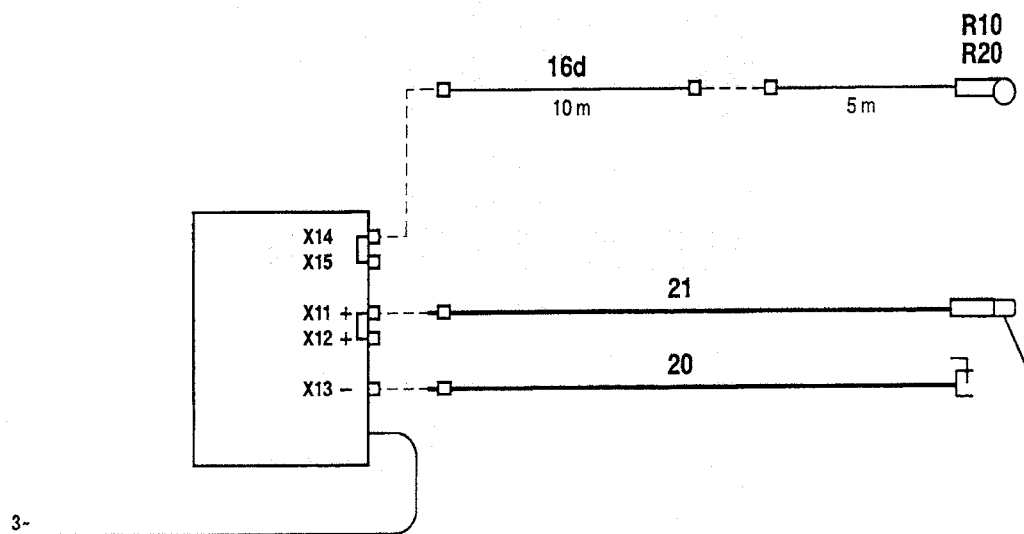
1.3.1 Remote control devices

R10		1. Control of MMA/TIG welding current, reference scale 1 ... 5.
R20		1. Wire feed adjustment, electrode current adjustment. 2. Voltage adjustment.

MIG-MAG remote control device with controls for wire feed and voltage, memory scales 1 ... 5. You can use control device also for control of MMA current.

1.3.2 Cables

FastMig KMS 400 MVU



16d	Extension cable for remote control
20	Earth cable
21	MMA welding cable
R10, R20	Remote control devices

2. INSTALLATION

2.1 Positioning of the machine

Place the machine on a firm, dry and level surface. Where possible, do not allow dust or other impurities to enter the machine's cooling air flow. Preferably site the machine above floor level; for example on a suitable carriage unit.

Notes for positioning the machine

- The surface inclination should not exceed 15 degrees.
- Ensure the free circulation of the cooling air. There must be at least 20 cm of free space in front of and behind the machine for cooling air to circulate.
- Protect the machine against heavy rain and direct sunshine.

NOTE! The machine should not be operated in the rain as the protection class of the machine, IP23S, allows for outside preserving and storage only.

NOTE! Never aim metallic grinding spray/sparks towards the equipment.

2.2 Distribution network

All regular electrical devices without special circuits generate harmonic currents into distribution network. High rates of harmonic current may cause losses and disturbance to some equipment.

This equipment complies with IEC 61000-3-12 provided that the short-circuit power S_{sc} is greater than or equal to 4.7 MVA at the interface point between the user's supply and the public supply network. It is the responsibility of the installer or user of the equipment to ensure, by consultation with the distribution network operator if necessary, that the equipment is connected only to a supply with a short-circuit power S_{sc} greater than or equal to 4.7 MVA.

2.3 Connection to the mains supply

FastMig power sources are delivered equipped with 5 m mains cable without plug.

If local electricity regulations of operating country are stating otherwise, the mains cable should be replaced in conformity with the local regulations.

Connection of the mains cable, mounting and change of the plug should only be carried out by a competent electrician.

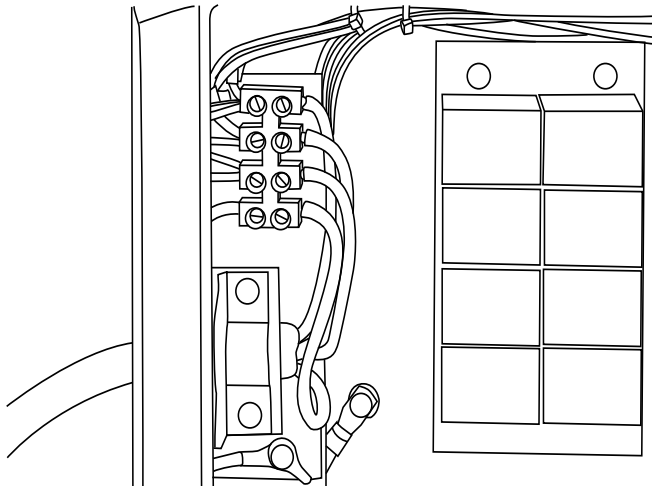
Remove the machine's right side plate to enable the mounting of a mains cable.

KMS 400 MVU power source can be connected to the mains supply of 230 V 3~ or 400 V 3~.

If changing the mains cable take into consideration the following:

The cable is entered into the machine through the inlet ring on the rear panel of the machine and fastened with a cable clamp (05). The phase conductors of the cable are coupled to connectors L1, L2 and L3. The earth protection coloured green-yellow is coupled to connector.

NOTE! If you are using 5-lead cable, do not connect neutral conductor.



Sizes of the mains cables and fuse ratings for the machine at 100 % duty cycle are specified in the table below:

Rated voltage	Fuses, slow-blow	Connection cable *) mm ²
400 V 3~	35 A	H07RN-F 4G10 (10 mm ²)
230 V 3~	50 A	H07RN-F 4G10 (10 mm ²)

*) In cables of S type there is a protective grounding conductor coloured green-yellow.

2.4 Welding and earth cables

Recommended copper cables with cross-sectional area are as follows:

FastMig KMS 400 MVU 70 ... 90 mm²

In enclosed table are shown typical load capacities of rubber insulated copper cables, when ambient temperature is 25° C and lead temperature is 85° C.

Cable	Duty cycle ED			Voltage loss / 10 m
	100 %	60 %	30 %	
50 mm ²	285 A	370 A	520 A	0,35 V / 100 A
70 mm ²	355 A	460 A	650 A	0,25 V / 100 A
95 mm ²	430 A	560 A	790 A	0,18 V / 100 A

Do not overload welding cables due to voltage losses and heating.

Fasten the earth clamp of the return current cable carefully, preferably direct onto the piece to be welded. The contact surface of the earth clamp should always be as large as possible.

Clean the fastening surface from paint and rust.

3. OPERATION CONTROL SWITCHES AND POTENTIOMETERS

3.1 Main switch I/O

When you turn the switch into I-position, pilot lamp H11 on the front face is illuminated and the machine is ready for use.

NOTE! Always turn the machine on and off with the mains switch, never use the mains plugs as a switch.

3.2 Pilot lamps

The pilot lamps of the machine report the electric operation:

The green pilot lamp H11 when lit indicates that the machine is on and ready for use and it is connected to the mains supply with the main switch in the I-position.

H12 indicates when lit that the thermal protection of the machine has been activated due to over heating. The cooling fan will continue to run and cool the machine down and when the lamp is off the machine is ready to weld.

3.3 Operation of cooling fan

In FastMig power sources there are two simultaneously operating fans.

- The fan is started for a moment when main switch is placed into position I.
- The fan will start during welding as the machine heats up and it will run for 1 to 10 minutes after the welding has stopped.

4. MANUAL METAL ARC WELDING

The FastMig power source can be used in electrode welding by connecting a FastMig MFS 53, MFS 55 or MSF 57 wire feeder to it. The power source can be made suitable for electrode welding without a wire feeder by connecting an R10 or R20 remote control to the X14 or X15 terminal at the back of the power source for welding current adjustment, and the welding power cable connected to the power source's (+) connector X11 or X12.

5. MAINTENANCE

The amount of use and the working environment should be taken into consideration when planning the frequency of maintenance of the machine. Careful use and preventive maintenance will help to ensure trouble-free operation.

5.1 Cables

Check the condition of welding and connection cables daily. Do not use damaged cables. Make sure that the mains cables in use are safe and according to laid down regulations. The repair and mounting of a mains connection cable should be carried out only by an authorised electrician.

5.2 Power source

NOTE! Disconnect the plug of the machine from the mains socket and wait approx. 2 minutes (capacitor charge) before removing the cover plate.

Check at least every half year:

- Electric connectors of the machine – clean the oxidised parts and tighten the loosened ones.
- Note! You must know correction tension torques before starting the reparation of the joints.
- Clean the inner parts of the machine from dust and dirt e.g. with a soft brush and vacuum cleaner. Also clean the ventilation net behind the front grate.
- Do not use compressed air, there is a risk that dirt is packed even more tightly into gaps of cooling profiles.
- Do not use pressure washing device.
- Only authorised electrician shall carry out repairs to the machines.

5.3 Regular maintenance

Kemppi Service Workshops make regular maintenance according to agreement.

The major points in the maintenance procedure are listed as follows:

- Cleaning of the machine
- Checking and maintenance of the welding tools
- Checking of connectors, switches and potentiometers
- Checking of electric connections
- Checking of mains cable and plug
- Damaged parts or parts in bad connection are replaced by new ones
- Maintenance testing. Operation and performance values of the machine are checked, and adjusted when necessary by means of test equipment.

6. OPERATION DISTURBANCES

In the event of a failure of the machine, contact an authorised Kemppi service agent or your local Kemppi dealer.

Check the maintenance objects before the machine is sent to the Service Workshop.

6.1 Operation of the overload protection

Yellow pilot lamp H12 of thermal protection is lit when thermostat has operated due to overheating of machine.

The thermostat of machine will operate, if machine is continuously loaded over rated values or cooling air circulation is blocked.

Cooling fan cools down the machine and when the pilot lamp is not lit the machine is automatically ready for welding.

6.2 Control fuses

Fuse F11, 6,3 A delayed, on the rear wall of machine is as protection for connection of auxiliary devices X14-15.

NOTE! Use same type and rating of fuse which is marked beside the fuse adapter. Damage caused by a wrong type fuse is not covered by the guarantee.

6.3 Under- and overvoltages in the mains supply

Primary circuits of machine are protected against sudden, transient overvoltages.

Machine is designed to withstand 3 x 440 V voltage continuously (see technical data). See to it that voltage is kept within admissible limits especially when mains supply is taken e.g. from combustion engine generator.

If the mains has undervoltage (under approx. 300 V) or overvoltage (over approx. 480 V) machine control stops to operate automatically.

6.4 Loss of a phase in the mains supply

Loss of a phase causes noticeable poorer welding properties than normally or the machine doesn't get started at all. Loss of a phase can be due to following:

- blowing of mains supply fuse
- defective mains cable
- bad connection of mains connection cable on terminal block or plug of machine

7. DISPOSAL OF THE MACHINE



Do not dispose of electrical equipment with normal waste!

In observance of European Directive 2002/96/EC on waste electrical and electronic equipment, and its implementation in accordance with national law, electrical equipment that has reached the end of its life must be collected separately and taken to an appropriate environmentally responsible recycling facility.

The owner of the equipment is obliged to deliver a decommissioned unit to a regional collection centre, per the instructions of local authorities or a Kemppi representative. By applying this European Directive you will improve the environment and human health.

8. ORDERING NUMBERS

FastMig KMS 400 MVU		605400003
Wire feeders		
MXF 65		6152100EL
MXF 67		6152200EL
MXF 63		6152300EL
MXF 65		6152100
MXF 67		6152200
MXF 63		6152300
MSF 53		6065300
MSF 55		6065500
MSF 57		6065700
Panels for wire feeders		
SF 51		6085100
SF 52W		6085200W
SF 53W		6085300W
SF 54		6085400
Accessories		
Return current cable	5 m, 50 mm ²	6184511
Return current cable	5 m, 70 mm ²	6184711
Cable for MMA welding	5 m, 50 mm ²	6184501
Cable for MMA welding	5 m, 70 mm ²	6184701
R10		6185409
Remote controlled interconnecting cable	10 m	6185481
Cooling unit FastCool 10		6068100
Transport unit PM 500		6185291
Gun holder GH 30		6256030

EN

9. TECHNICAL DATA

FastMig™ KMS 400 MVU			
		400 V	230 V
Connection voltage	3~, 50/60 Hz	400 V -15 %...+20 %	230 V -10 %...+10 %
Rated power		19 kVA	20 kVA
Primary current	MIG, 80%ED I _{1max}	27A	48A
	MIG, 100%ED I ₁	26A	45A
	MMA, 80%ED I _{1max}	29A	50A
	MMA, 100%ED I ₁	27A	47A
Connection cable	H07RN-F	4G6 (5 m)	4G6 (5 m)
Fuse (delayed)		35 A	35 A
Duty cycle 40 °C	80 % ED	400 A/36 V	400 A/36 V
	100 % ED	380 A/35 V	380 A/35 V
Welding range	MIG	10 V ... 39V	10 V ... 39 V
Max. welding voltage		46 V	46 V
Open circuit voltage	MIG	55 ... 69 V	55 ... 69 V
	MMA	50 V	50 V
Idle power		25 W	25 W
Efficiency at max. current		87 %	87 %
Power factor at max. current		0.8	0.8
Operating temperature range		-20 ... +40 °C	-20 ... +40 °C
Storage temperature range		-40 ... +60 °C	-40 ... +60 °C
Degree of protection		IP23S	IP23S
EMC class		A	A
Minimum short circuit power S _{sc} of supply network*		4.7 MVA	4.7 MVA
External dimensions	length	590 mm	590 mm
	width	230 mm	230 mm
	height	580 mm	580 mm
Weight		49 kg	49 kg
Operating voltage (for cooling unit)		400 V -15 %...+20 %	400 V -15 %...+20 %

* See paragraph 3.2.

KEMPPI OY

Kempinkatu 1
PL 13
FI-15801 LAHTI
FINLAND
Tel +358 3 899 11
Telefax +358 3 899 428
export@kemppi.com
www.kemppi.com

Kotimaan myynti:

Tel +358 3 899 11
Telefax +358 3 734 8398
myynti.fi@kemppi.com

KEMPPI SVERIGE AB

Box 717
S-194 27 UPPLANDS VÄSBY
SVERIGE
Tel +46 8 590 783 00
Telefax +46 8 590 823 94
sales.se@kemppi.com

KEMPPI NORGE A/S

Postboks 2151, Postterminalen
N-3103 TØNSBERG
NORGE
Tel +47 33 346000
Telefax +47 33 346010
sales.no@kemppi.com

KEMPPI DANMARK A/S

Literbuen 11
DK-2740 SKOVLUNDE
DANMARK
Tel +45 4494 1677
Telefax +45 4494 1536
sales.dk@kemppi.com

KEMPPI BENELUX B.V.

Postbus 5603
NL-4801 EA BREDA
NEDERLAND
Tel +31 765717750
Telefax +31 765716345
sales.nl@kemppi.com

KEMPPI (UK) Ltd

Martti Kemppi Building
Fraser Road
Priory Business Park
BEDFORD, MK44 3WH
UNITED KINGDOM
Tel +44 (0)845 6444201
Telefax +44 (0)845 6444202
sales.uk@kemppi.com

KEMPPI FRANCE S.A.S.

65 Avenue de la Couronne des Prés
78681 EPONE CEDEX
FRANCE
Tel +33 1 30 90 04 40
Telefax +33 1 30 90 04 45
sales.fr@kemppi.com

KEMPPI GmbH

Perchstetten 10
D-35428 LANGGÖNS
DEUTSCHLAND
Tel +49 6 403 7792 0
Telefax +49 6 403 779 79 74
sales.de@kemppi.com

KEMPPI SPÓŁKA Z O.O.

Ul. Borzymowska 32
03-565 WARSZAWA
POLAND
Tel +48 22 7816162
Telefax +48 22 7816505
info.pl@kemppi.com

KEMPPI AUSTRALIA PTY LTD.

13 Cullen Place
P.O. Box 5256, Greystanes NSW 2145
SMITHFIELD NSW 2164
AUSTRALIA
Tel. +61 2 9605 9500
Telefax +61 2 9605 5999
info.au@kemppi.com

ООО КЕМППИ

Polkovaya str. 1, Building 6
127018 MOSCOW
RUSSIA
Tel +7 495 739 4304
Telefax +7 495 739 4305
info.ru@kemppi.com

ООО КЕМППИ

ул. Полковая 1, строение 6
127018 Москва
Tel +7 495 739 4304
Telefax +7 495 739 4305
info.ru@kemppi.com

KEMPPI, TRADING (BEIJING) COMPANY, LIMITED

Room 420, 3 Zone, Building B,
No.12 Hongda North Street,
Beijing Economic Development Zone,
100176 Beijing
CHINA
Tel +86-10-6787 6064
+86-10-6787 1282
Telefax +86-10-6787 5259
sales.cn@kemppi.com

肯倍贸易 (北京) 有限公司
中国北京经济技术开发区宏达
北路12号
创新大厦B座三区420室 (100176)
电话 : +86-10-6787 6064
+86-10-6787 1282
传真 : +86-10-6787 5259
sales.cn@kemppi.com

KEMPPI INDIA PVT LTD

LAKSHMI TOWERS
New No. 2/770,
First Main Road,
Kazura Garden,
Neelankarai,
CHENNAI - 600 041
TAMIL NADU
Tel +91-44-4567 1200
Telefax +91-44-4567 1234
sales.india@kemppi.com