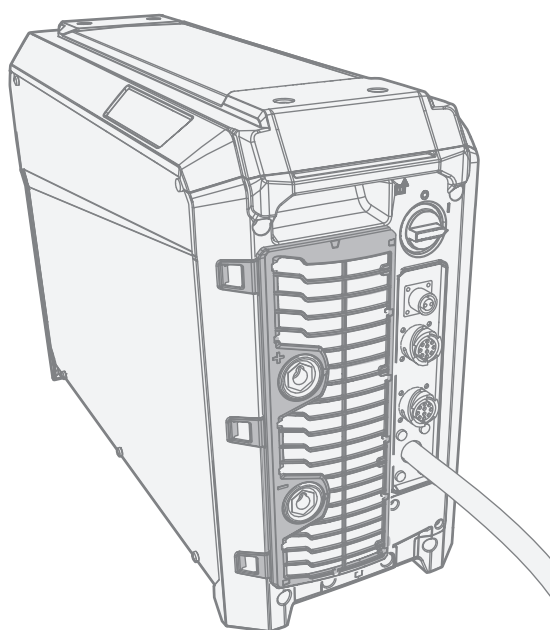
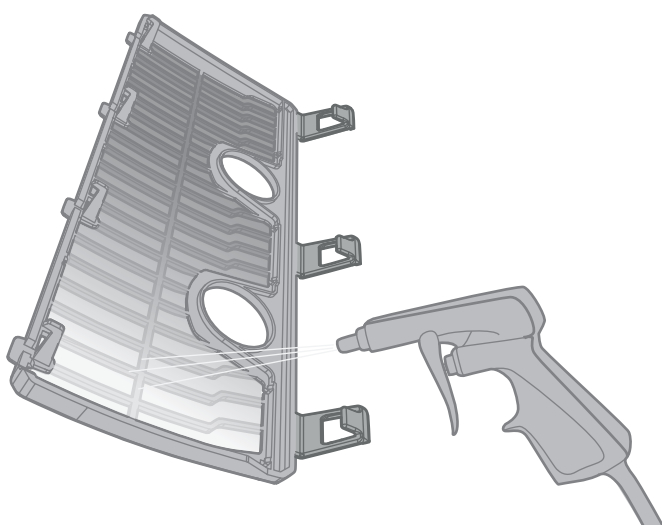
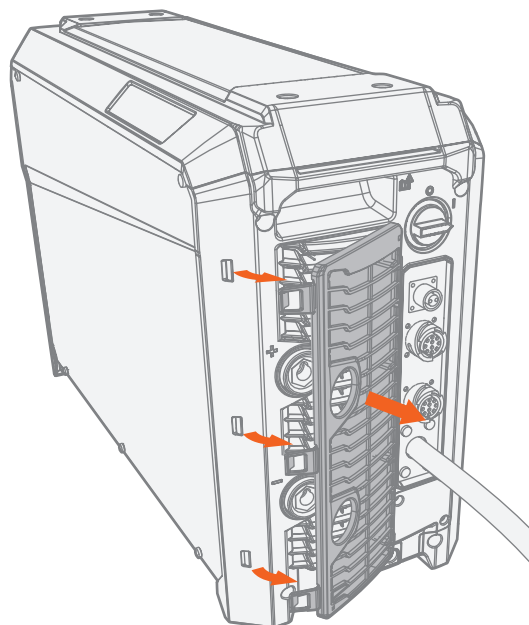


**i**

+

Output 40 °C

↓ 60 %	100 %
↓ 45 %	100 % - 20 A



 [userdoc.kemppi.com](http://userdoc.kemppi.com)

Mounting instructions

W016889 R01