
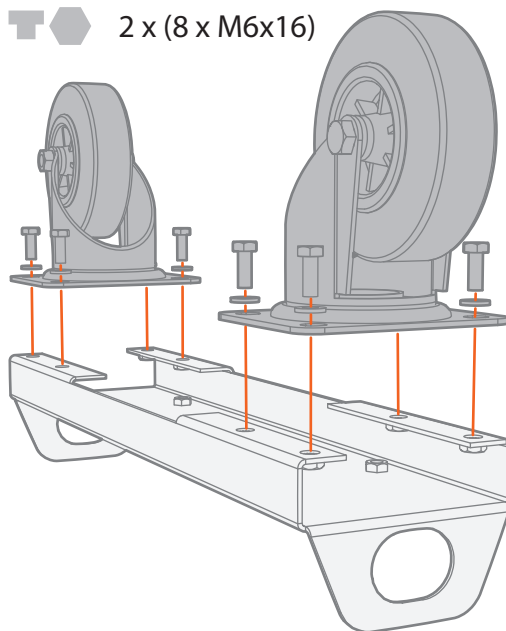
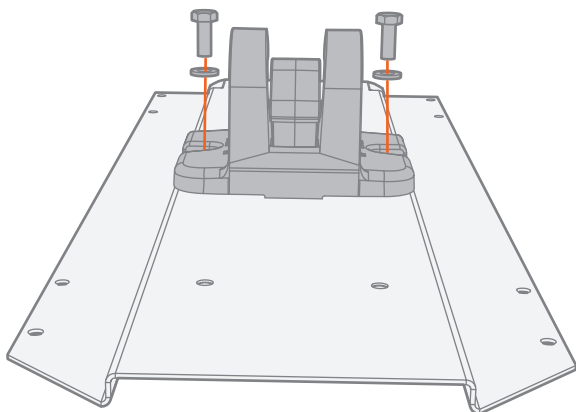


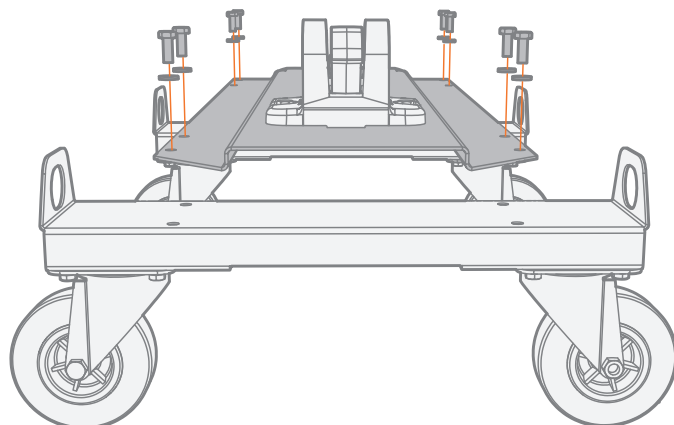
1.  2 x (8 x M6x16)



2.  2 x M6x16



3.  8 x M6x16



userdoc.kemppi.com

Mounting instructions

W020634 R00

4.

