

MinarcTig

180, 180MLP, 250, 250MLP



Operating manual

EN

Brugsanvisning

DA

Gebrauchsanweisung

DE

Manual de instrucciones

ES

Käyttöohje

FI

Manuel d'utilisation

FR

Gebruiksaanwijzing

NL

Bruksanvisning

NO

Instrukcja obsługi

PL

Инструкции по эксплуатации

RU

Bruksanvisning

SV

操作手册

ZH



KEMPPi
The Joy of Welding

OPERATING MANUAL

English

CONTENTS

1.	Preface	5
1.1	General	5
1.2	Machine properties	5
1.3	About welding	6
2.	Machine use	7
2.1	Before commissioning the machine	7
2.2	General view of the machine	8
2.3	Distribution network	8
2.4	Cable connections	9
2.5	Welding power selection and electrodes	11
2.6	Adjustments and indicators (180 and 250)	12
2.6.1	Welding current regulation and remote control	13
2.6.2	MMA welding settings	13
2.6.3	TIG welding function	13
2.6.4	Additional features for MLP models	14
3.	Setup features	15
4.	Error codes	16
5.	Maintenance	17
5.1	Daily maintenance	17
5.2	Disposal	17
6.	Ordering numbers	18
7.	Troubleshooting	19
8.	Technical data	20

EN

1. PREFACE

1.1 General

Congratulations on choosing the MinarcTig equipment. Used correctly, Kemppi products can significantly increase the productivity of your welding, and provide years of economical service.

This operating manual contains important information on the use, maintenance and safety of your Kemppi product. The technical specifications of the equipment can be found at the end of the manual.

Please read the manual carefully before using the equipment for the first time. For your own safety and that of your working environment, pay particular attention to the safety instructions in the manual.

For more information on Kemppi products, contact Kemppi Oy, consult an authorised Kemppi dealer, or visit the Kemppi web site at www.kemppi.com.

The specifications presented in this manual are subject to change without prior notice.

Important notes

Items in the manual that require particular attention in order to minimise damage and personal harm are indicated with the **'NOTE!'** notation. Read these sections carefully and follow their instructions.

Disclaimer

While every effort has been made to ensure that the information contained in this guide is accurate and complete, no liability can be accepted for any errors or omissions. Kemppi reserves the right to change the specification of the product described at any time without prior notice. Do not copy, record, reproduce or transmit the contents of this guide without prior permission from Kemppi.

1.2 Machine properties

MinarcTig machines are compact and robust direct current welding machines suitable for MMA and TIG welding. Extremely light in weight for their output power, the machines are easy to carry to the work place with either the inbuilt moulded carry handle or the shoulder strap provided.

The 180 and 180 MLP models can be used in regular lighting circuits, i.e., in single-phase electric networks. The 250 and 250 MLP models require a three-phase network.

1.3 About welding

MinarcTig is a precise welding tool and will provide high quality results time after time provided the correct operational procedures are followed. Welding quality is not only influenced by the machine itself. Personal expertise, ancillary equipment and consumables also play an essential role, as does the correct, fused supply power.

Welding is carried out when an electric arc is established between the welding electrode and work piece. Welding is not possible unless the equipment is correctly set-up, including the earthing cable attached to the work piece. This cable creates the welding circuit that allows the welding current to flow. Please check the earthing clamp is on the work piece to be welded, and that the area of the clamps contact is clean and free from paint.

MMA welding

The MMA is a simple welding process. A coated MMA electrode is short circuited to the work piece and the resulting electric arc creates a molten pool into which the electrode wire melts. The coating around the electrode burns to create a protective gaseous atmosphere and slag, which directly protects the molten weld pool from atmospheric contamination. The slag floats on the molten weld pool and solidifies on the surface of the resulting weld bead, protecting the cooling weld.

The electrode is moved slowly along the weld seam. The travel speed is directly proportional to the size of the electrode and welding current selected. The slag is finally removed with a chipping hammer to reveal the weld (always use eye protection).

TIG welding

In TIG welding, the welding arc is formed between a non-consumable tungsten electrode and the work piece. The resulting high temperature arc melts the work piece to form a molten pool, into which filler wire of a similar alloy composition is slowly melted. The molten weld pool and filler wire are protected from the harmful effects of atmospheric contamination by an inert shielding gas that flows out from the TIG welding torch's ceramic nozzle at a rate of approximately 8–15 litres per minute. (Gas regulator, flow meter and pure argon shielding gas are not provided in this package.)

2. MACHINE USE

2.1 Before commissioning the machine

MinarcTig is packed in purpose made, recyclable packaging. However, always ensure that the equipment has not been damaged in transportation. Even so, make sure that all in-transport damage is reported to the machine supplier. Do not unpack the machine under these circumstances. In addition, before commissioning, check that you have received all of the items you ordered along with their operating instructions.

Transportation

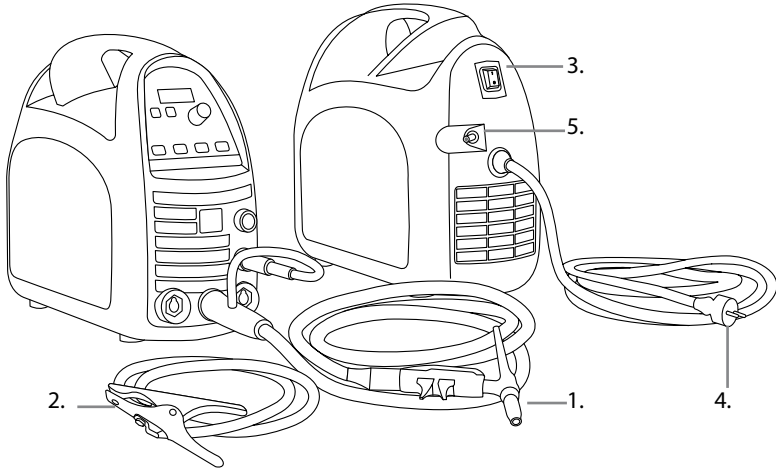
The machine should be transported in an upright position.

Environment

The machine is suitable for both indoor and outdoor use. In outdoor use, protect it from heavy rain and sunshine. Store the machine in a dry and clean environment and protect it from sand and dust during use and storage. The recommended operating temperature range is -20 to +40 degrees centigrade.

Site the machine so that it does not come into contact with hot surfaces, sparks and welding spatter. Make sure the airflow to and from the machine is unrestricted.

2.2 General view of the machine



1. Welding torch
2. Earthing cable and earthing clamp
3. Main switch
4. Mains cable (MinarcTig 180 in the picture)
5. Shielding gas hose connector

2.3 Distribution network

All regular electrical devices without special circuits generate harmonic currents into distribution network. High rates of harmonic current may cause losses and disturbance to some equipment.

MinarcTig 180, 180MLP:

WARNING: This equipment does not comply with IEC 61000-3-12. If it is connected to a public low voltage system, it is the responsibility of the installer or user of the equipment to ensure, by consultation with the distribution network operator if necessary, that the equipment may be connected.

MinarcTig 250, 250MLP:

This equipment complies with IEC 61000-3-12 provided that the short-circuit power S_{SC} is greater than or equal to 1.5 MVA at the interface point between the user's supply and the public supply network. It is the responsibility of the installer or user of the equipment to ensure, by consultation with the distribution network operator if necessary, that the equipment is connected only to a supply with a short-circuit power S_{SC} greater than or equal to 1.5 MVA.

2.4 Cable connections

Connection to mains

The machine is equipped with a 3.3 m supply voltage cable and plug. Plug the mains cable to a single-phase electric network.

The MinarcTig 250 is supplied with a 5 m mains cable without a plug.

NOTE! Check the fuse size in Technical specifications. The plug may be installed only by electrical contractors and installers specialised in performing such operations.

If you use an extension power supply cord, its cross sectional area should be at least as large as the supply voltage cable fitted to the machine. The maximum length for the extension cable is 50 m.

The minimum power of a single-phase machine generator must be 3.5 kVA. The recommended power is 7.0 kVA for using the machine at maximum power.

Restrictions on generator type and power may apply in generator use. Fault-free operation of a three-phase machine also requires a sufficiently high-power generator. The power recommendation is more than 15 kVA.

Earthing cable

Connect the earthing cable to the negative pole in MMA welding, and to the positive pole in TIG welding.

Before you start welding, clean the work piece surface and fix the earth return clamp to the work piece in order to create a closed and interference free welding circuit.

Welding torch (TIG)

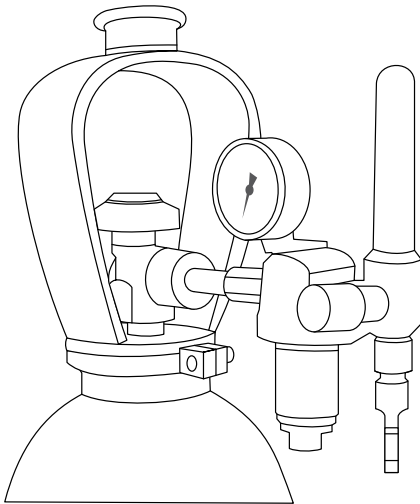
The welding torch is used to supply shielding gas and electrical arc energy to the weld piece. When you press the welding torch switch, the shielding gas begins to flow and the arc is established. The TIG torch is connected to the negative pole.

Shielding gas

In TIG welding, shielding gas is used to prevent atmospheric contamination of the molten weld pool and cooling weld. Normally, the shielding gas is argon (Ar). Normally the gas flow rate is approximately 8–15 litres per minute, but this can vary according to the welding current used and the size of gas nozzle.

The machine is delivered with a 4.5 m shielding gas hose. Connect the gas hose snap connector to the male connector on the machine. The other end of the gas supply hose should be connected to the outlet of the regulator.

NOTE! Under no circumstances should you connect the hose directly to the cylinder valve. Always use a regulator and flow meter for safe and accurate operation.



1. Connect the hose to the reduced pressure side of the cylinder regulator, or flow meter and tighten the connector.
2. Adjust the shielding gas flow rate with the flow regulation adjustment screw. A suitable gas flow rate is 8–15 l/min
3. Close the cylinder valve after use.

2.5 Welding power selection and electrodes

TIG welding electrodes and gas nozzles

In DC TIG welding we recommend the use of the WC20 (grey) type electrode, however other types are available.

The welding electrode size (diameter) is selected depending on the welding current/power to be used. An electrode with an insufficient diameter compared to the welding current will melt, while excessive electrode size will make it more difficult to ignite the arc.

Generally speaking, a 1.6 mm tungsten electrode will cover currents up to 150 A, and 2.4 mm tungsten electrode up to 250 A DC current.

Before use, grind the tungsten electrode to a sharp point at approximately 1.5 times the diameter of the electrode. If the electrode touches the work piece during welding, re-sharpen the electrode.

MMA welding electrodes

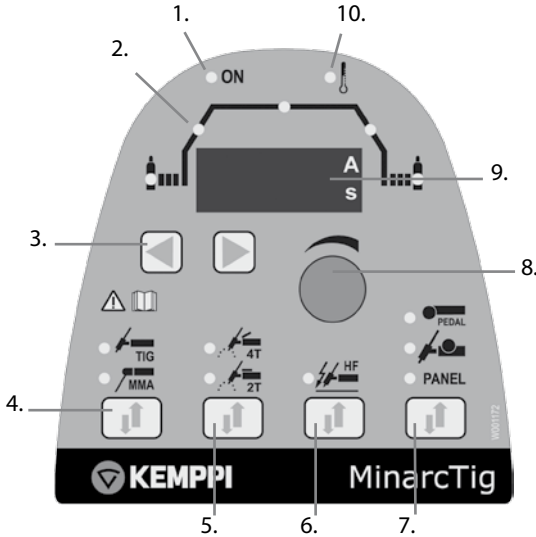
In MMA welding, the welding electrodes must be connected to the correct pole. Normally, the electrode holder is connected to the positive and the earthing cable to the negative connector.

It is also important to properly adjust the welding current so that the filler material and coating will melt properly and the welding is efficient. The table below presents the electrode sizes available with the MinarcTig welding machine and the corresponding welding current values.

MMA Electrodes and corresponding current settings range

Electrode diameter	1.6 mm	2.0 mm	2.5 mm	3.25 mm	4.0 mm	5.0 mm
Fe-Rutile	30-60 A	40-80 A	50-110 A	80-150 A	120-210	170-220
Fe-Basic	30-55 A	50-80 A	80-110 A	110-150 A	140-200	200-220

2.6 Adjustments and indicators (180 and 250)



1. Standby indicator.
2. Pre/Post gas, upslope/downslope and main current parameter indicator.
3. Welding parameter selector arrow keys.
4. Welding process selection button (MMA or TIG).
5. 2T or 4T TIG torch switch selection button. Select 2T for short welds or 4T for long welds.
6. Ignition method selection button.
7. Current adjustment selector: panel control, TIG Torch remote or foot pedal remote.
8. Welding current and parameter value control knob.
9. Welding current and parameter value display: time and amperes.
10. Overheating indicator.

Switching the machine on

When you power on the machine, the green standby indicator and the main switch are lit.

If the machine overheats or the supply voltage is too high or too low, the welding operation automatically switches off, and the yellow overheating indicator is illuminated. The light switches off again, when the machine is ready for operation. Make sure that there is enough space around the machine to allow the air to freely circulate and flow into and out off the machine.

2.6.1 Welding current regulation and remote control

The welding current can be adjusted steplessly with the control knob, if panel adjustment (PANEL) is selected.

If you want to adjust the welding current with the remote control, connect the remote control to the machine and then select remote control with the current adjustment selector (7). The following remote control options are available: RTC10, RTC20, R10 and R11F. The remote foot pedal R11F can only be used with TIG welding in 2T operation mode.

2.6.2 MMA welding settings

MMA welding is selected when the indicator next to the MMA symbol is lit. If needed, press the process selection button to select the MMA process (4). The machine automatically sets suitable values to the ignition time, ignition pulse and arc dynamics.

2.6.3 TIG welding function

Select the TIG welding process by pressing the MMA/TIG button.

Torch switch control in 2T mode and HF arc ignition

The shielding gas starts to flow when the torch switch is pressed and the welding arc is established automatically via HF ignition. The current starts to rise (if an upslope time is established) to the set welding current level. When you release the switch, the current starts to decrease. After the specified downslope time, the arc is disconnected and the set post-gas time begins.

Torch switch control in 4T mode and HF arc ignition

The shielding gas starts to flow when the torch switch is pressed. When the switch is released, the arc is automatically established via HF ignition. The current starts to rise (if an upslope time is established) to the set welding current level. When ready to end the welding cycle, press and release the torch switch again. The welding current starts to drop (if a downslope time is established) until the arc is extinguished and the set post-gas time begins.

HF or Contact ignition

The TIG arc can be established with or without an HF pulse.

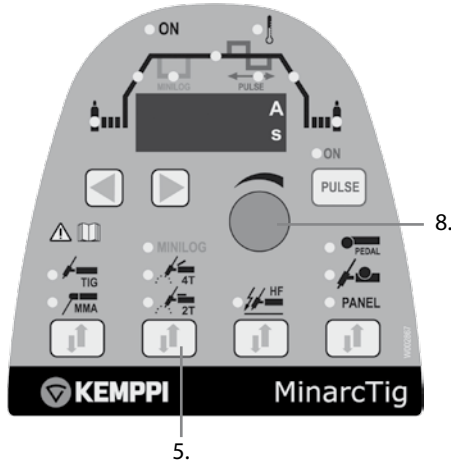
If the HF indicator is not lit, the arc can be established by lightly contacting the tungsten electrode to the work piece. Press the torch trigger and then quickly lift the contact of the tungsten electrode from the work piece (2T function); the arc is established simultaneously and effectively.

For HF ignition, press the HF button so that the indicator is on (item 6). Press the TIG torch trigger and hold or release, depending on whether 2T or 4T is selected. The shielding gas flows and the HF (High Frequency arc) ignites the welding arc.

Setting parameters

Select the welding parameters with the arrow keys (3) and adjust the parameter values with the control knob (8). When setting the parameters, the display (2) will show the parameter being adjusted as well as the numeric value that will be set for it. After three seconds, the display returns to normal state and shows the welding current value.

2.6.4 Additional features for MLP models



Minilog

With the Minilog feature, you can switch between two current levels by pressing the switch briefly. The levels are the welding current and the Minilog current.

To use the Minilog feature, press the button (5) so that the MINILOG indicator is lit. Use the arrow buttons to move the selector to Minilog current and then set the desired Minilog current level with the control knob (8).

The shielding gas starts to flow when the torch switch is pressed. When you release the switch, the current starts to rise (if an upslope time is established) to the set welding current level.

Press the torch switch shortly (<1 sec) you can then easily switch up and down between the two levels: welding current and Minilog current.

When you press the switch for 1 second and then release it, the current starts to decrease. After a predetermined downslope time, the arc is disconnected.

Pulse welding

To use the pulse welding feature, press the PULSE button so that the ON indicator is lit. Specify the desired welding current average (A) and pulse time (s). The machine will set the remaining pulse values automatically. For small welding current values, the chronological pulse ratio is 35% and the pause current's share of the pulse current is 35 %. The percentages are slightly altered if the welding current average rises above 145 A.

3. SETUP FEATURES

Configuring additional features

The machine has additional features that can be selected and adjusted with the SETUP feature. To activate and deactivate it, press both arrow buttons (3) simultaneously for at least 5 seconds.

In the SETUP mode, the display will show the name of the parameter to be adjusted and its numerical value. Select the parameter to be adjusted with the arrow buttons and change the parameter value with the control knob. The following parameters and values are available:

Name displayed	Parameter values	Factory setting	Description
A	1/0	0	End current level selection, 1=1 min / 0 =15%
b	1/0	1	Open-circuit voltage selection, 1 = 30 V (VRD) / 0 = 95 V
C	1/0	0	Forced stop during downslope with a brief pressing of the switch, 1 = On / 0 = Off
d	1/0	1	Alternative switch logic of the MLP panel, 1 = Minilog / 0 = 4T-LOG
E	5% ... 40%	20%	Start current level selection (% of the welding current)
F	1/0	0	Restore factory settings *), 1 = Restore / 0 = No restore
h	0.0...2.0 s	0	Minimum setting for pre-gas time
J	0,0...10,0 s	1.0 s	Minimum setting for post-gas time
L	5.0...20.0 s	10.0 s	Maximum setting for pre-gas time
o	15...99 s	30 s	Maximum setting for post-gas time
S	-3...5	0	Arc dynamics (Arc Force)

t	-9...0	0	Electrode ignition pulse (-9 = No pulse / 0 = Max pulse)
U	1/0	0	Disable automatic remote control recognition. 0 = Enable automatic recognition, 1 = Disable automatic recognition.
*) Happens when exiting SETUP mode and value is 1.			

4. ERROR CODES

The machine always checks its operation automatically during start-up and reports any failures detected. If failures are detected during start-up, they are shown as error codes on the control panel display.

E 2: Power source undervoltage

The device has stopped because it has detected a mains undervoltage that disturbs welding. Check the quality of the supply network.

E 3: Power source overvoltage

The machine has stopped the welding because it has detected momentary voltage spikes or continuous overvoltage dangerous to the machine in the electric network. Check the quality of the supply network.

E 4: Power source overheating

The power source has overheated. The cause may be one of the following:

- The power source has been used for a long time at maximum power.
- The circulation of cooling air to the power source is blocked.
- The cooling system has experienced a failure.

Remove any obstacle to air circulation, and wait until the power source fan has cooled down the machine.

Other error codes:

The machine can show codes not listed here. In the event of an unlisted code appearing, contact an authorised Kemppi service agent and report the error code shown.

5. MAINTENANCE

All electromechanical devices require routine service maintenance depending on usage. This type of routine maintenance will prevent hazards and malfunctions.

We recommend that you schedule a service inspection of your welding machine every six months. An authorised Kemppi service agent will inspect and clean your machine, ensuring that all power connections are tight and secure. Power connections can become loose and oxidised with frequent and high changes in temperature.

NOTE! Disconnect the machine from the mains power supply before handling electric cables.

5.1 Daily maintenance

- Check the welding torch electrode. Sharpen the electrode or replace a damaged one.
- Check the tightness of the earthing cable connections.
- Check the condition of mains and welding cables and replace damaged cables.

5.2 Disposal



Do not dispose of electrical equipment with normal waste!

In observance of European Directive 2002/96/EC on waste electrical and electronic equipment, and its implementation in accordance with national law, electrical equipment that has reached the end of its life must be collected separately and taken to an appropriate environmentally responsible recycling facility.

The owner of the equipment is obliged to deliver a decommissioned unit to a regional collection centre, per the instructions of local authorities or a Kemppi representative. By applying this European Directive you will improve the environment and human health.

6. ORDERING NUMBERS

Product	Part number
Power Sources	
MinarcTig 180, TTC 160 4 m	MINARC180TTC4
MinarcTig 180, TTC 160 8 m	MINARC180TTC8
MinarcTig 180 MLP, TTC 160 4 m	MINARC180MLPTTC4
MinarcTig 180 MLP, TTC 160 8 m	MINARC180MLPTTC8
MinarcTig 250, TTC 160 4 m	MINARC250TTC164
MinarcTig 250, TTC 160 8 m	MINARC250TTC168
MinarcTig 250, TTC 220 4 m	MINARC250TTC224
MinarcTig 250, TTC 220 8 m	MINARC250TTC228
MinarcTig 250 MLP, TTC 160 4 m	MINARC250MLPTTC164
MinarcTig 250 MLP, TTC 160 8 m	MINARC250MLPTTC168
MinarcTig 250 MLP, TTC 220 4 m	MINARC250MLPTTC224
MinarcTig 250 MLP, TTC 220 8 m	MINARC250MLPTTC228
Cables	
Welding cable, 16 mm ² 5 m	6184103
Welding cable, 25 mm ² 5 m	6184201
Welding cable, 25 mm ² 10 m	6184202
Earthing cable, 16 mm ² 5 m	6184113
Earthing cable, 25 mm ² 5 m	6184211
Earthing cable, 25 mm ² 10 m	6184212
Torches	
TTC 160, 4 m	627016004
TTC 160, 8 m	627016008
TTC 220, 4 m	627022004
TTC 220, 8 m	627022008
Ancillary devices	
TIG welding torch controls	
RTC 10	6185477
RTC 20	6185478
Gas flow gauge AR/clock	6265136

Shielding gas hose (4.5 m)	W001077
Carrying straps	9592162
Remote control units	
R 10	6185409
R11F	6185407
Mains cable (MinarcTig 250)	W002982

7. TROUBLESHOOTING

Problem	Cause
The main switch indicator will not light up	<p>No electricity connected to the machine</p> <ul style="list-style-type: none"> • Check the mains supply fuses. • Check the mains cable and plug.
Poor welding result	<p>Several factors affect the welding quality.</p> <ul style="list-style-type: none"> • Check that the earthing clamp is properly attached, the point of attachment is clean and that the cable and its connectors are intact. • Check that the shielding gas flows out of the torch tip. • The electric network voltage is irregular, too low or too high.
Overheating indicator lit	<p>The device has overheated.</p> <ul style="list-style-type: none"> • Ensure that cooling air has unrestricted flow. • The machine's duty cycle has been exceeded. Wait for indicator to turn off. • Too low or high supply voltage.

If the machine's malfunction is not eliminated with these measures, contact KEMPPI service.

8. TECHNICAL DATA

MinarcTig 180, 180 MLP		
Connection voltage	1 ~, 50/60 Hz	230 V ± 15 %
Rated power at max. current	TIG	6.7 kVA (180 A/17.2 V)
	MMA	7.0 kVA (140 A/25.6 V)
Supply current, I_{1max}	TIG	29 A (180 A/17.2 V)
	MMA	31 A (140 A/25.6 V)
Supply current, I_{1eff}	TIG	18 A (120 A/14.8 V)
	MMA	22 A (100 A/24.0 V)
Connection cable	H07RN-F	3G2.5(3x2.5 mm ²) - 3 m Euro Schuko
Fuse (delayed)		16 A
Duty cycle 40 °C	TIG	35 % ED 180 A/17.2 V
		100 % ED 120 A/14.8 V
	MMA	35 % ED 140 A/25.6 V
		100 % ED 100 A/24 V
Welding range	TIG	5 A/10.2 V–180 A/17.2 V
	MMA	10 A/20.4 V-140 A/25.6 V
Open circuit voltage		95 V (VRD 30 V)
Idle power	TIG	–
	MMA	25 W
Power factor at max. current	TIG	0.62
	MMA	0.63
Efficiency at max. current	TIG	0.75
	MMA	0.81
Striking voltage		10 kV
Stick electrodes	MMA	Ø 1.5-3.25 mm
External dimensions (L × W × H)		400 × 180 × 340
Weight		7.8 kg (8.4 kg with connection cable)
Temperature class		H (B)
Degree of protection		IP23S

EMC class		A
Operating temperature range		-20 °C...+40 °C
Storage temperature range		-40 °C...+60 °C
Recommended generator		> 7 kVA

MinarcTig 250, MinarcTig 250 MLP		
Connection voltage	3 ~, 50/60 Hz	400 V –20 %... +15 %
Rated power at max. current	TIG	7.2 kVA (250 A/20.1 V)
	MMA	8.2 kVA (220 A/28.8 V)
Supply current, I_{1max}	TIG	10 A (250 A/20.1 V)
	MMA	12 A (220 A/28.8 V)
Supply current, I_{1eff}	TIG	6 A (160 A/16.4 V)
	MMA	8 A (150 A/26.0 V)
Connection cable	H07RN-F	4G1.5(4x1.5 mm ²) - 5 m
Fuse (delayed)		10 A
Duty cycle 40 °C	TIG	30 % ED 250 A/20.1 V
		100 % ED 160 A/16.4 V
	MMA	35 % ED 220 A/28.8 V
		100 % ED 150 A/26.0 V
Welding range	TIG	5 A/10.2 V-250 A/20.1 V
	MMA	10 A/20.4 V-220 A/28.8 V
Open circuit voltage	MMA	95 V (VRD 30 V)
Idle power	MMA	40 W
Power ratio at max. current	TIG	0,92
	MMA	0,91
Efficiency at max. current	TIG	0,80
	MMA	0,86
Striking voltage	TIG	10 kV
MMA welding electrodes	MMA	Ø 1.5-5.0 mm
External dimensions (L × W × H)		400 × 180 × 340
Weight		10.7 kg (11.6 kg with connection cable)

Temperature class		F
Degree of protection		IP23S
EMC class		A
Minimum short circuit power S_{sc} of supply network*		1.5 MVA
Operating temperature range		-20 °C...+40 °C
Storage temperature range		-40 °C...+60 °C
Recommended generator		> 15 kVA

* See paragraph 2.3.

KEMPPI OY

Kempinkatu 1
PL 13
FI-15801 LAHTI
FINLAND
Tel +358 3 899 11
Telefax +358 3 899 428
export@kemppi.com
www.kemppi.com

Kotimaan myynti:

Tel +358 3 899 11
Telefax +358 3 734 8398
myynti.fi@kemppi.com

KEMPPI SVERIGE AB

Box 717
S-194 27 UPPLANDS VÄSBY
SVERIGE
Tel +46 8 590 783 00
Telefax +46 8 590 783 94
sales.se@kemppi.com

KEMPPI NORGE A/S

Postboks 2151, Postterminalen
N-3103 TØNSBERG
NORGE
Tel +47 33 346000
Telefax +47 33 346010
sales.no@kemppi.com

KEMPPI DANMARK A/S

Literbuen 11
DK-2740 SKOVLUNDE
DANMARK
Tel +45 4494 1677
Telefax +45 4494 1536
sales.dk@kemppi.com

KEMPPI BENELUX B.V.

Postbus 5603
NL-4801 EA BREDA
NEDERLAND
Tel +31 765717750
Telefax +31 765716345
sales.nl@kemppi.com

KEMPPI (UK) LTD

Martti Kemppi Building
Fraser Road
Priory Business Park
BEDFORD, MK44 3WH
UNITED KINGDOM

Tel +44 (0)845 6444201
Telefax +44 (0)845 6444202
sales.uk@kemppi.com

KEMPPI FRANCE S.A.S.

65 Avenue de la Couronne des Prés
78681 EPONE CEDEX
FRANCE
Tel +33 1 30 90 04 40
Telefax +33 1 30 90 04 45
sales.fr@kemppi.com

KEMPPI GMBH

Perchstetten 10
D-35428 Langgöns
DEUTSCHLAND
Tel +49 6 403 7792 0
Telefax +49 6 403 779 79 74
sales.de@kemppi.com

KEMPPI SPÓŁKA Z O.O.

Ul. Borzymowska 32
03-565 WARSZAWA
POLAND
Tel +48 22 7816162
Telefax +48 22 7816505
info.pl@kemppi.com

KEMPPI AUSTRALIA PTY LTD

13 Cullen Place
P.O. Box 5256, Greystanes NSW 2145
SMITHFIELD NSW 2164
AUSTRALIA
Tel. +61 2 9605 9500
Telefax +61 2 9605 5999
info.au@kemppi.com

ООО КЕМППИ

Polkovaya str. 1, Building 6
127018 MOSCOW
RUSSIA
Tel +7 495 739 4304
Telefax +7 495 739 4305
info.ru@kemppi.com

ООО КЕМППИ

ул. Полковая 1, строение 6
127018 Москва
Tel +7 495 739 4304
Telefax +7 495 739 4305
info.ru@kemppi.com

KEMPPI, TRADING (BEIJING) COMPANY LTD

Room 420, 3 Zone, Building B,
No.12 Hongda North Street,
Beijing Economic Development Zone,
100176 BEIJING
CHINA
Tel +86-10-6787 6064
+86-10-6787 1282
Telefax +86-10-6787 5259
sales.cn@kemppi.com

肯倍贸易 (北京) 有限公司

中国北京经济技术开发区宏达
北路12号
创新大厦B座三区420室 (100176)
电话: +86-10-6787 6064
+86-10-6787 1282
传真: +86-10-6787 5259
sales.cn@kemppi.com

KEMPPI INDIA PVT LTD

LAKSHMI TOWERS
New No. 2/770,
First Main Road,
Kazura Garden,
Neelankarai,
CHENNAI - 600 041
TAMIL NADU
Tel +91-44-4567 1200
Telefax +91-44-4567 1234
sales.india@kemppi.com

KEMPPI WELDING SOLUTIONS SDN BHD

No 12A, Jalan TP5A,
Taman Perindustrian UEP,
47600 Subang Jaya,
SELANGOR, MALAYSIA
Tel +60 3 80207035
Telefax +60 3 80207835
sales.malaysia@kemppi.com